

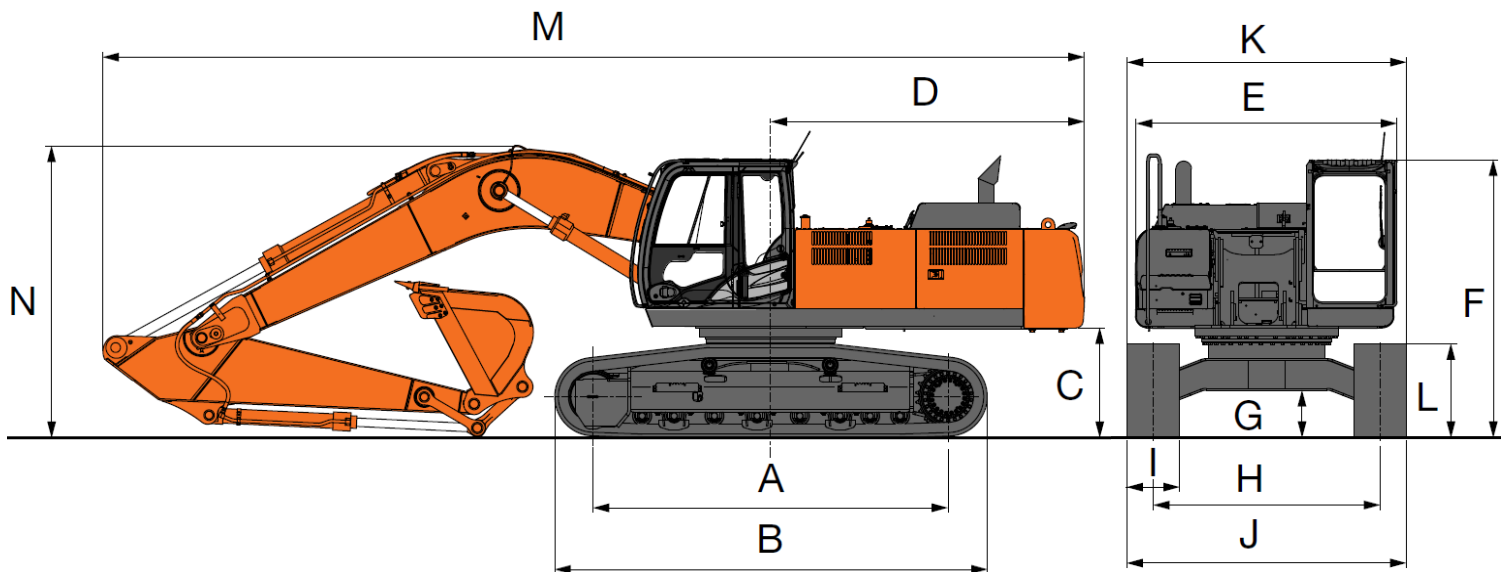
### Hitachi Zaxis 350 (with Movax SG-75)

Excavator	Zaxis 350
Engine Type	Isuzu AL-6HK1X
Rated Power	202 kW @ 1900 rpm
Maximum Torque	1080 Nm @ 1500rpm
Monoblock Boom Length	6.40 m
Arm Length	3.20 m
Maximum bearing pressure	255 kN/m <sup>2</sup>
Prolec slew & height limiter fitted	Yes
Transport weight <sup>a</sup>	38.3 tonnes
Operating Weight (approx.) <sup>b</sup>	39 - 42 tonnes

<sup>a</sup>Transport weight = excavator + counterweight & boom (excludes attachment)

<sup>b</sup>Operating weight = excavator + counterweight & boom + attachment

Dimensions	(mm)
(A) Distance between tumblers	4050
(B) Undercarriage length	4950
(C) Counterweight clearance	1160
(D) Rear-end swing radius	3600
(E) Overall width of upper structure	2990
(F) Overall height of cab	3150
(G) Minimum ground clearance	500
(H) Track gauge	2590
(I) Track shoe width	700
(J) Undercarriage width	3290
(K) Overall width	3290
(L) Track height with triple grouser shoes	1070
(M) Transport length	11220
(N) Transport height	3270









# Hitachi Zaxis 350

## Movax SG-75 Pile Driver

Technical Data	SG-75
Max. weight (excluding adapter)	3588 kg
Width	1270 mm
Height	2560 mm
Centrifugal force (max.)	750 kN
Eccentric moment	7.6 kgm
Engine power (min.)	184 kW
Frequency	2300 - 3000 rpm
Pressure setting	350 bar
Return pressure (max.)	5 bar
Swing angle	+/- 360°
Tilt angle	+/- 30°
Clearance to centre line of pile	800 mm

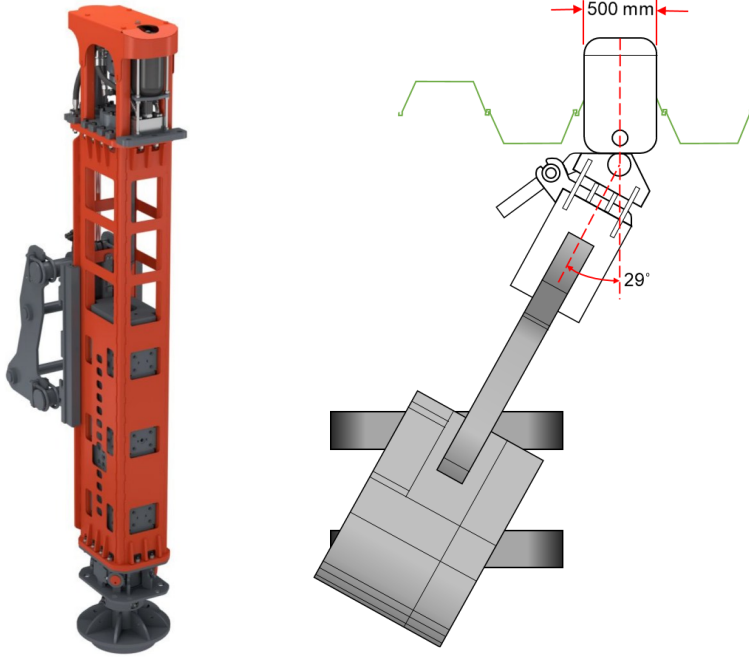
Suitable Pile Types & Dimensions	SG-75
Sheet pile (width)	400 - 1200 mm
Sheet pile (depth)	265 mm
H-beam	H180 - H500
Timber pile	Ø 160 - 420 mm
Tubular pile, tubes	Up to 762 mm

			
Length & Weight			
6 m / 2800 kg			
12 m / 1900 kg			
16 m / 1300 kg			



# Hitachi Zaxis 350 Movax DH-25 Impact Hammer



Technical Data	DH-25
Weight (inc. adapter, driving cap with tilt + rotation)	5450 kg
Transport width	1200 mm
Transport depth	1870 mm
Height	5100 mm
Blows per minute (max.)	100
Energy per blow	2039 kg/m
Drop height (max.)	1200 mm
Operating pressure	200 bar
Weight of ram	2000 kg
Rotation angle	+/- 29°
Tilt angle	+/- 15°



ABI Dangle Drill	BA2200
Height (H1)	1390 mm
Height (H2)	1205 mm
Width (B)	710 mm
Depth (T)	540 mm
Transport Weight	700 kg
Torque	2200 daNm
Revolutions (max.)	50 per min <sup>-1</sup>
Static extraction force (max.)	200 kN
Hydraulic flow rate	220 l/min
Hydraulic power at auger drive (max.)	60 kW
Nominal oil pressure	32 MPa
Hexagon connection (SW - Z socket/male)	80 mm

