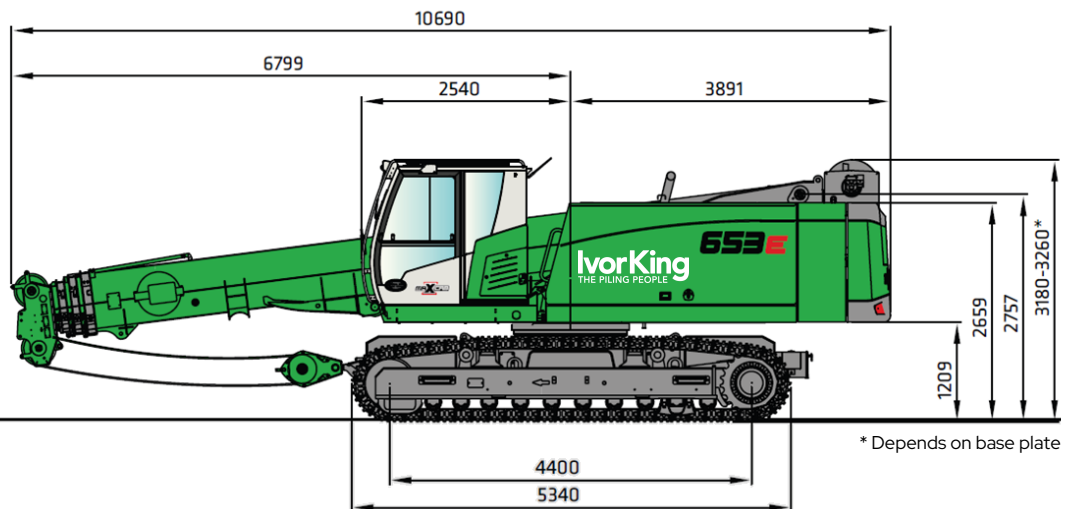
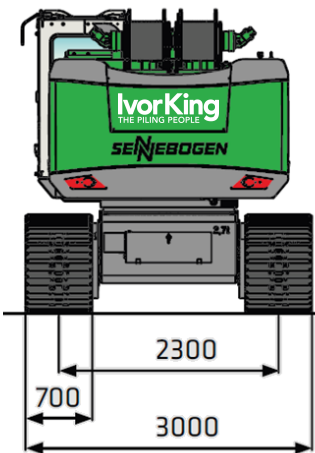
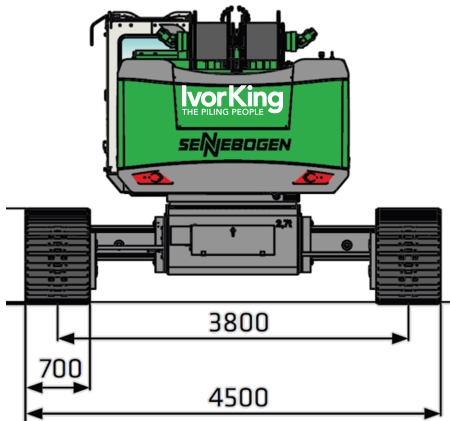


Sennebogen 653E Telescopic Crawler Crane

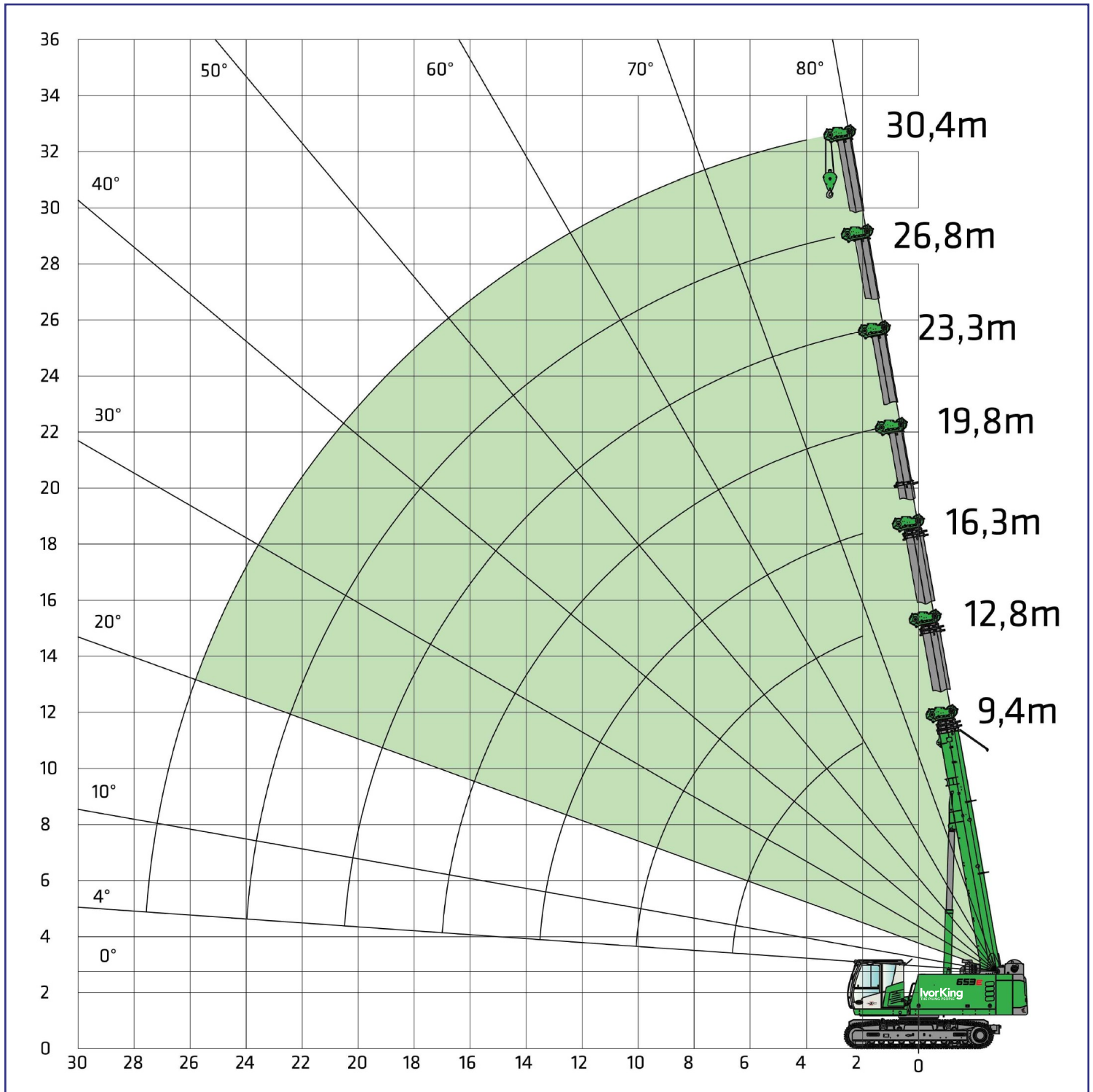
Crawler Crane	Sennebogen 653E
Engine Type	Cummins QSB 4.5 (Stage IV emission standard)
Rated Power	129 kW @ 2200 rpm
Telescopic Boom	4-piece with pulley head, continuous hydraulic telescoping from 9.4 m to 30.4 m
Crawler Shoes	700 mm, 3-grouser
Minimum Transport Width	3000 mm
Ground Bearing Pressure	233 kN/m ²
Transport/ Operating weight ^a	Approx. 51.3 tonnes

^a Transport / Operating weight = includes 30.4 m telescopic boom + all counterweights and undercarriage ballast



Sennebogen 653E Crawler Crane

Working Ranges (for 30.4m Telescopic Boom)



Hook

Capacity	Weight	Rope reeving and maximum load capacity										
		10	9	8	7	6	5	4	3	2	1	
5 t	80 kg											5,000 kg
15t 1-pulley	190kg									15,000 kg	10,000 kg	5,000 kg
35 t 3-pulley	260kg				35,000 kg	30,000 kg	25,000 kg	20,000 kg	15,000 kg	10,000 kg	5,000 kg	
60t 6-pulley	540 kg	50,000 kg	45,000 kg	40,000 kg	35,000 kg	30,000 kg	25,000 kg	20,000 kg	15,000 kg	10,000 kg	5,000 kg	

Sennebogen 653E Crawler Crane

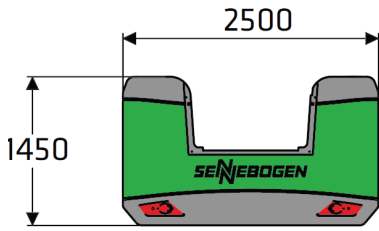
Load Ratings (for 30.4m Telescopic Boom)

- Notes:
1. Specified load ratings only apply when machine is level ($\pm 0.3^\circ$) and stable
 2. Load ratings are in tonnes (t) and apply for 360 degrees
 3. Load ratings are in accordance with EN 13000
 4. The weight of the load handling devices (e.g. hook, cable) must be subtracted from the load ratings
 5. Load ratings must be limited or reduced when conditions are unfavourable, such as soft or uneven ground, slopes, wind, lateral loads, swinging loads, jerking or sudden stopping of load, operator inexperience, driving with load
 6. Permissible cable pull per strand in crane mode for cable diameter 16mm - 5,000 kg
 7. Specified load ratings are for reference only. See tables in the operating manual for applicable load ratings
 8. Optional load capacities available for 2° and 4° incline positions.

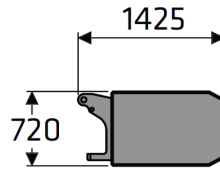
	Boom length (m)																				
	9.4			12.8			16.3			19.8			23.3			26.8			30.4		
Counterweight (t)	8.9	8.9	8.9	8.9	8.9	8.9	8.9	8.9	8.9	8.9	8.9	8.9	8.9	8.9	8.9	8.9	8.9	8.9	8.9	8.9	8.9
Carbody Counterweight (t)	5.5	5.5	5.5	5.5	5.5	5.5	5.5	5.5	5.5	5.5	5.5	5.5	5.5	5.5	5.5	5.5	5.5	5.5	5.5	5.5	5.5
Undercarriage track width (m)	3.8	3.0	2.3	3.8	3.0	2.3	3.8	3.0	2.3	3.8	3.0	2.3	3.8	3.0	2.3	3.8	3.0	2.3	3.8	3.0	2.3
Outreach (m)																					
2.0	50.0	40.0		31.0	31.0		28.0	26.0		15.6	15.6		14.5	14.5							
3.0	45.0	40.0		31.0	31.0		25.0	24.4		15.6	15.6		14.5	14.5		12.7	12.7				
4.0	38.0	30.0	24.0	31.0	30.0	22.7	22.0	21.7	20.0	15.6	15.6	15.6	14.5	14.5	14.5	12.6	12.6	12.6	9.2	9.2	9.2
5.0	30.0	22.5	17.0	28.0	22.6	17.3	19.3	19.3	16.0	15.6	15.6	15.5	14.2	14.2	14.2	12.4	12.4	12.4	9.2	9.2	9.2
6.0	22.0	17.0	13.0	22.5	17.0	13.2	16.9	16.6	12.8	14.9	14.9	12.6	13.6	13.6	12.3	11.9	11.9	11.9	9.2	9.2	9.2
7.0				17.5	13.4	10.4	15.0	13.3	10.3	13.6	13.4	10.4	12.5	12.5	10.2	11.1	11.1	10.0	9.1	9.1	9.1
8.0				14.2	10.9	8.4	13.5	10.8	8.3	12.2	11.2	8.7	11.2	11.2	8.7	10.3	10.3	8.6	8.7	8.7	8.4
9.0				11.7	9.0	7.0	11.7	8.9	6.9	11.1	9.3	7.3	10.2	9.6	7.5	9.4	9.4	7.4	8.2	8.2	7.3
10.0							9.9	7.5	5.8	10.1	7.9	6.1	9.3	8.2	6.4	8.6	8.3	6.4	7.8	7.8	6.4
11.0							8.5	6.4	4.9	8.9	6.8	5.2	8.5	7.0	5.5	8.0	7.2	5.6	7.3	7.3	5.6
12.0							7.4	5.5	4.1	7.7	5.9	4.5	7.9	6.1	4.7	7.3	6.3	4.9	6.8	6.4	5.0
13.0							6.4	4.7	3.5	6.8	5.1	3.9	7.1	5.4	4.1	6.8	5.5	4.3	6.4	5.7	4.4
14.0										6.0	4.5	3.4	6.2	4.7	3.6	6.3	4.9	3.8	5.9	5.0	3.9
15.0										5.4	3.9	2.9	5.6	4.2	3.2	5.8	4.4	3.3	5.6	4.5	3.5
16.0										4.8	3.5	2.5	5.0	3.7	2.8	5.2	3.9	2.9	5.2	4.0	3.1
17.0													4.5	3.3	2.4	4.7	3.5	2.6	4.9	3.6	2.7
18.0													4.1	2.9	2.1	4.3	3.1	2.3	4.4	3.2	2.4
19.0													3.7	2.6	1.8	3.9	2.8	2.0	4.1	2.9	2.1
20.0													3.3	2.3	1.5	3.6	2.5	1.7	3.7	2.6	1.9
21.0																3.3	2.2	1.5	3.4	2.4	1.6
22.0																3.0	2.0	1.3	3.1	2.1	1.4
23.0																2.7	1.8	1.1	2.9	1.9	1.2
24.0																			2.6	1.7	1.1
25.0																			2.4	1.5	0.9
26.0																			2.2	1.3	0.7
Parts reeving	4	10	10	3	8	8	3	6	6	2	4	4	2	4	4	2	4	4	1	4	4
I	0%			50%			100%			100%			100%			100%			100%		
II	0%			0%			0%			25%			50%			75%			100%		
III	0%			0%			0%			25%			50%			75%			100%		
Reduction of load	580			420			330			270			230			200			180		

Sennebogen 653E Crawler Crane

Counterweights & Ballast



Counterweight
7,000 kg



Undercarriage ballast
2,750 kg (x2)

