

Kobelco SK350LC-11

(with Movax SG-75 / MPL-300 Multi-Tool Piling Leader)

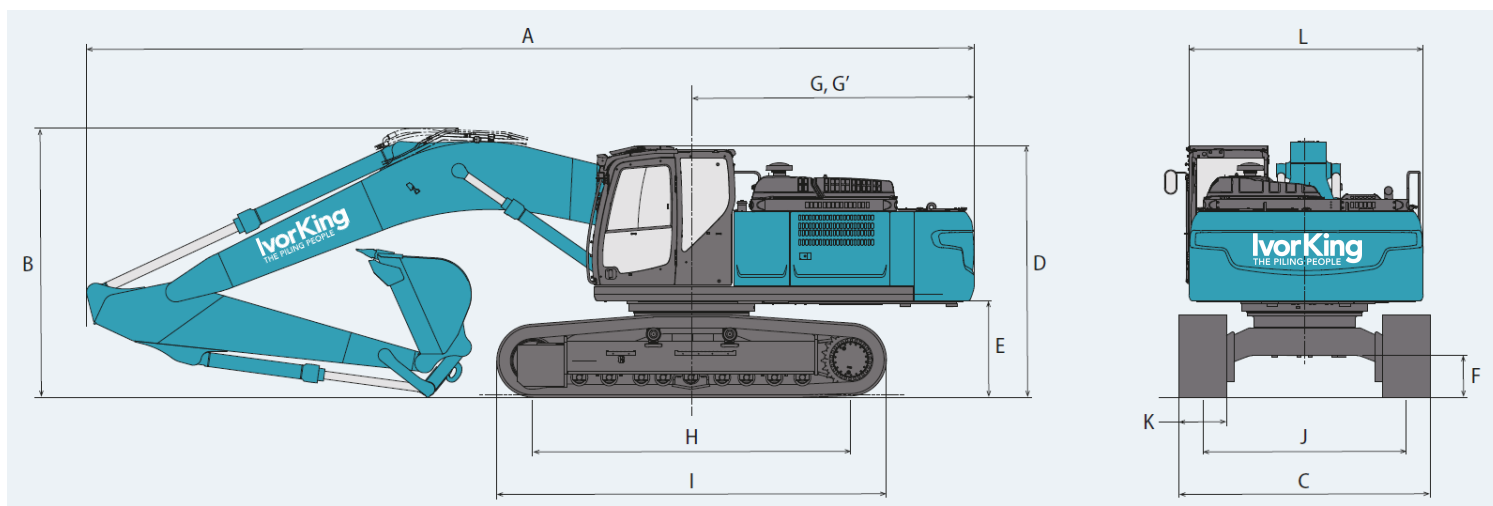
Excavator	Kobelco SK350LC-11
Engine Type	HINO J08EYD-KSSA
Rated Power	213 kW @ 2100 rpm
Maximum Torque	1017 Nm @ 1600 rpm
Monoboom Length	6.5 m
Arm Length	3.3 m
Ground Bearing Pressure	53 kN/m ²
Height & Slew Restrictor	XWatch XW5
Transport weight ^a	42 tonnes
Operating Weight (approx.) ^b	42 - 44 tonnes

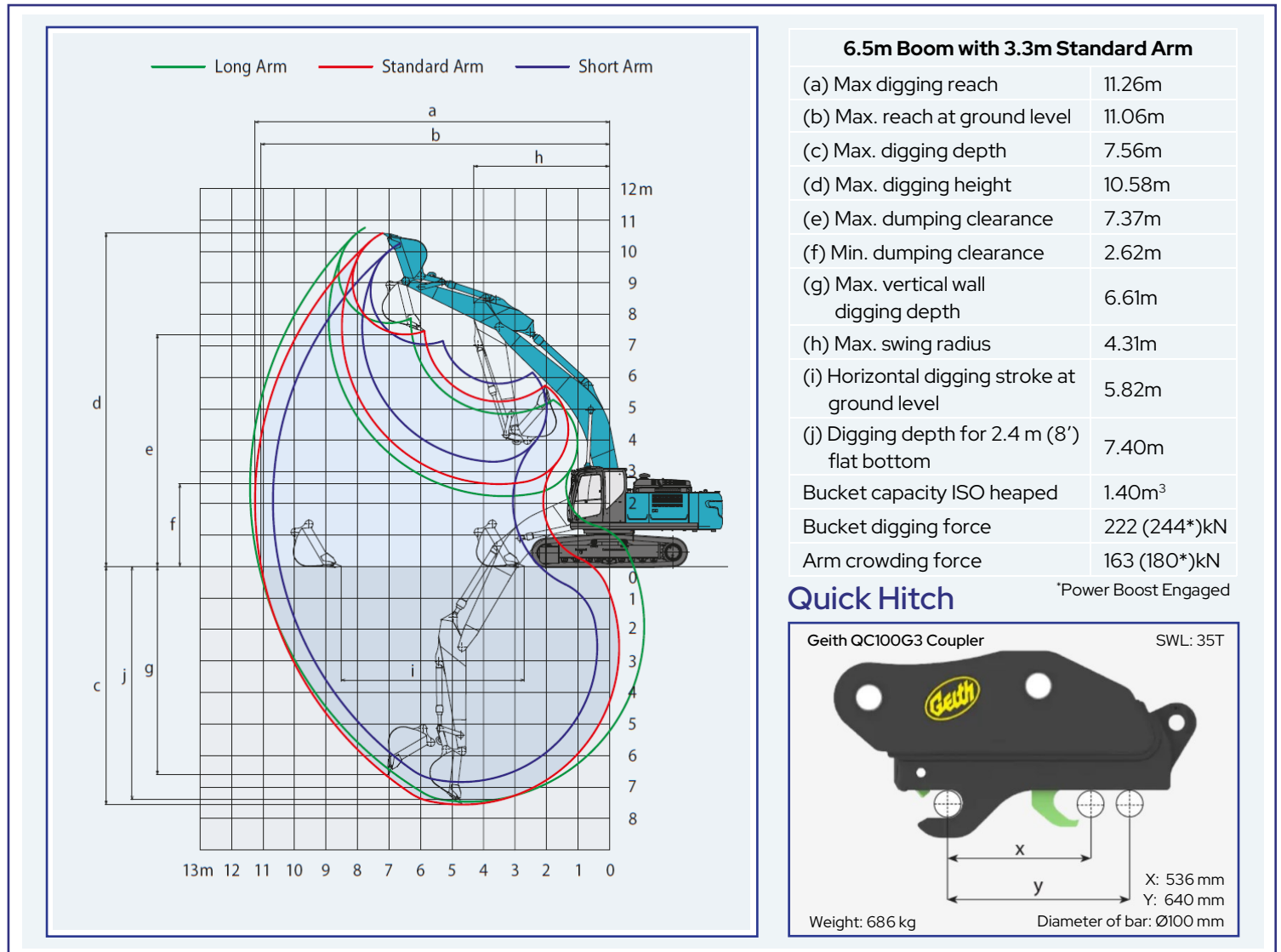
^a Transport weight = excavator + counterweight & boom (excludes attachment)

^b Operating weight = excavator + counterweight & boom + attachment

Dimensions	(mm)
(A) Overall length	11300
(B) Overall height (to top of boom)	3420
(C) Overall width of crawler	3390
(D) Overall height (to top of cab)	3200
(E) Ground clearance of rear end*	1190
(F) Ground clearance*	485
(G) Tail swing radius	3600
(G') Distance from centre of swing to rear end	3600
(H) Tumbler distance	4050
(I) Overall length of crawler	4960
(J) Track gauge	2590
(K) Show width	800
(L) Overall width of upper structure	2980

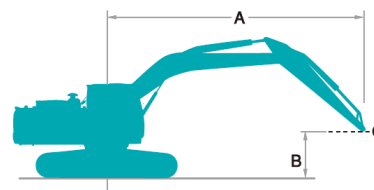
*Not including height of shoe lug





Lift Capacities

- Notes:
- Lift capacities are in compliance with ISO 10567
 - Arm top defined as lift point
 - * Denotes lift capacities limited by hydraulic capacity rather than tipping load
 - The nominal loads do not exceed 87% of the hydraulic capacity or 75% of the capacity of the swing.
 - G.L = Ground level
 - Lift capacities are based on machine standing on level, firm and uniform ground
 - NB: Weight of all accessories must be deducted from the above lift capacities



A: Reach from swing centreline to top arm
B: Arm top height above/below ground
C: Lift point (Without bucket)



Rating over front



Rating side or 360 degrees

Unit: kg





Conditions	Load point height (m)	Load radius												At max. reach				
		1.5 m		3.0 m		4.5 m		6.0 m		7.5 m		9.0 m		Radius (m)				
Boom 6.5 m Arm 3.3 m	9.0															*6370	*6370	6.56
	7.5									*7810	*7810					*5840	*5840	7.86
	6.0									*7930	*7930					*5640	*5640	8.71
	4.5							*9720	*9720	*8490	7700	*7850	5750			*5650	5480	9.25
	3.0					*15090	*15090	*11160	10160	*9230	7360	*8160	5600			*5830	5110	9.52
	1.5					*17300	14250	*12430	9580	*9940	7040	8400	5430			*6200	4980	9.54
	G.L					*18060	13770	*13170	9200	*10400	6810	8270	5320			*6830	5070	9.33
	-1.5			*15390	*15390	*17700	13670	*13230	9040	*10420	6700					*7980	5410	8.85
	-3.0	*17520	*17520	*22280	*22280	*16380	13810	*12490	9080	*9690	6750					*8640	6160	8.07
-4.5			*18200	*18200	*13800	*13800	*10490	9330							*8540	7810	6.88	

Kobelco SK350LC-11

Movax SG-75 Pile Driver

Technical Data	SG-75
Max. weight (excluding adapter)	3588 kg
Width	1270 mm
Height	2560 mm
Centrifugal force (max.)	750 kN
Eccentric moment	7.6 kgm
Engine power (min.)	184 kW
Frequency	2300 - 3000 rpm
Pressure setting	350 bar
Return pressure (max.)	5 bar
Swing angle	+/- 360°
Tilt angle	+/- 30°
Clearance to centre line of pile	800 mm

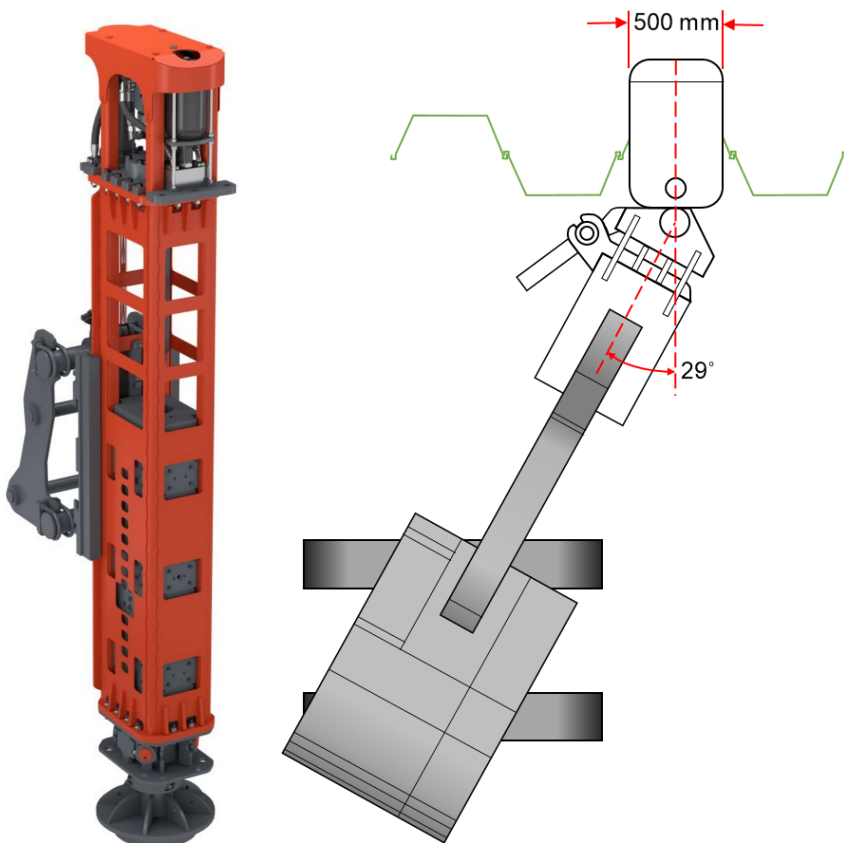
Suitable Pile Types & Dimensions	SG-75
Sheet pile (width)	400 - 1200 mm
Sheet pile (depth)	265 mm
H-beam	H180 - H500
Timber pile	Ø 160 - 420 mm
Tubular pile, tubes	Up to 762 mm

Length & Weight	
	6 m / 2800 kg
	12 m / 1900 kg
	16 m / 1300 kg



Movax DH-25 Impact Hammer



Technical Data	DH-25
Weight (inc. adapter, driving cap with tilt + rotation)	5450 kg
Transport width	1200 mm
Transport depth	1870 mm
Height	5100 mm
Blows per minute (max.)	100
Energy per blow	2039 kg/m
Drop height (max.)	1200 mm
Operating pressure	200 bar
Weight of ram	2000 kg
Rotation angle	+/- 29°
Tilt angle	+/- 15°



Kobelco SK350LC-11

Multi-Tool Piling Leader MPL-300

Technical Data		MPL-300
Weight	(without adapter & tool)	4000 - 4500 kg
Height		15.0 m
Forward inclination		20°
Backward inclination		20°
Tilt		8°
Rotation (optional)		60 - 90°
Winches	Main winch line pull	57 kN
	Aux winch line pull	25 kN
Crowd system	pull down force	57 / 114 kN
	extraction force	57 / 171 kN
Transport length		8600 mm
Transport width		1800 mm
Transport height		2000 mm
Transport weight		4000 - 5000 kg

Rotary drive for CFA RHP-5

Technical Data		RHP-5
Total weight		1400 kg
Torque (max.)		50 kNm
Drilling speed		0-50 rpm
Oil flow		250 l/min
Maximum pressure		320 bar
Pre-augering	Depth	12.0 m
	Hole diameter	300 - 600 mm
CFA	Depth	12.0 m
	Hole diameter	300 - 600 mm

