

Telescopic Leader Rig ABI TM 13/16 SL

Base Carrier	CAT 330 DLN
Engine Type	CAT C12
Engine Power	261 kW
Operating Weight (approx.) ¹	51 - 56 tonnes
Transport Weight ²	49.5 tonnes

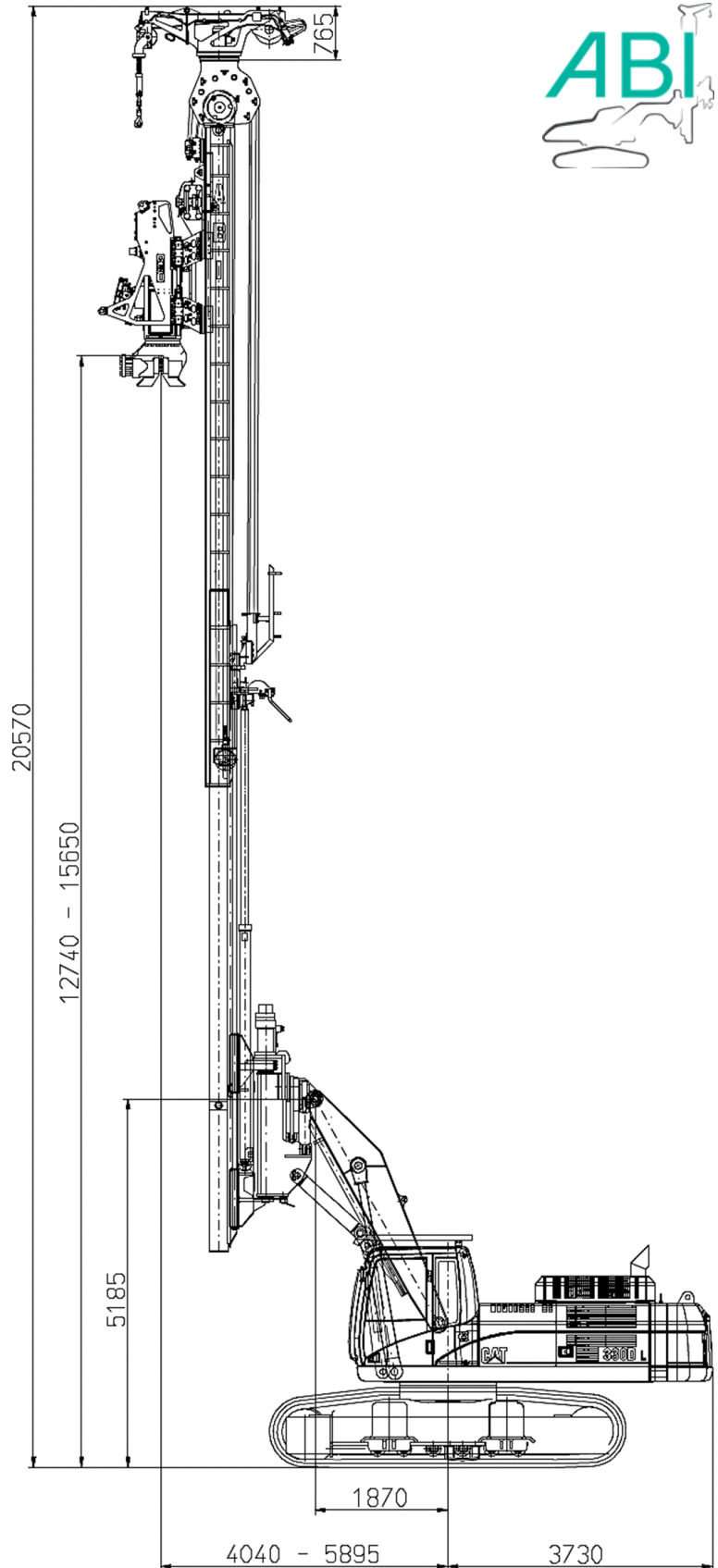
¹Operating weight = base carrier + mast + attachment

²Transport weight = base carrier + leader mast

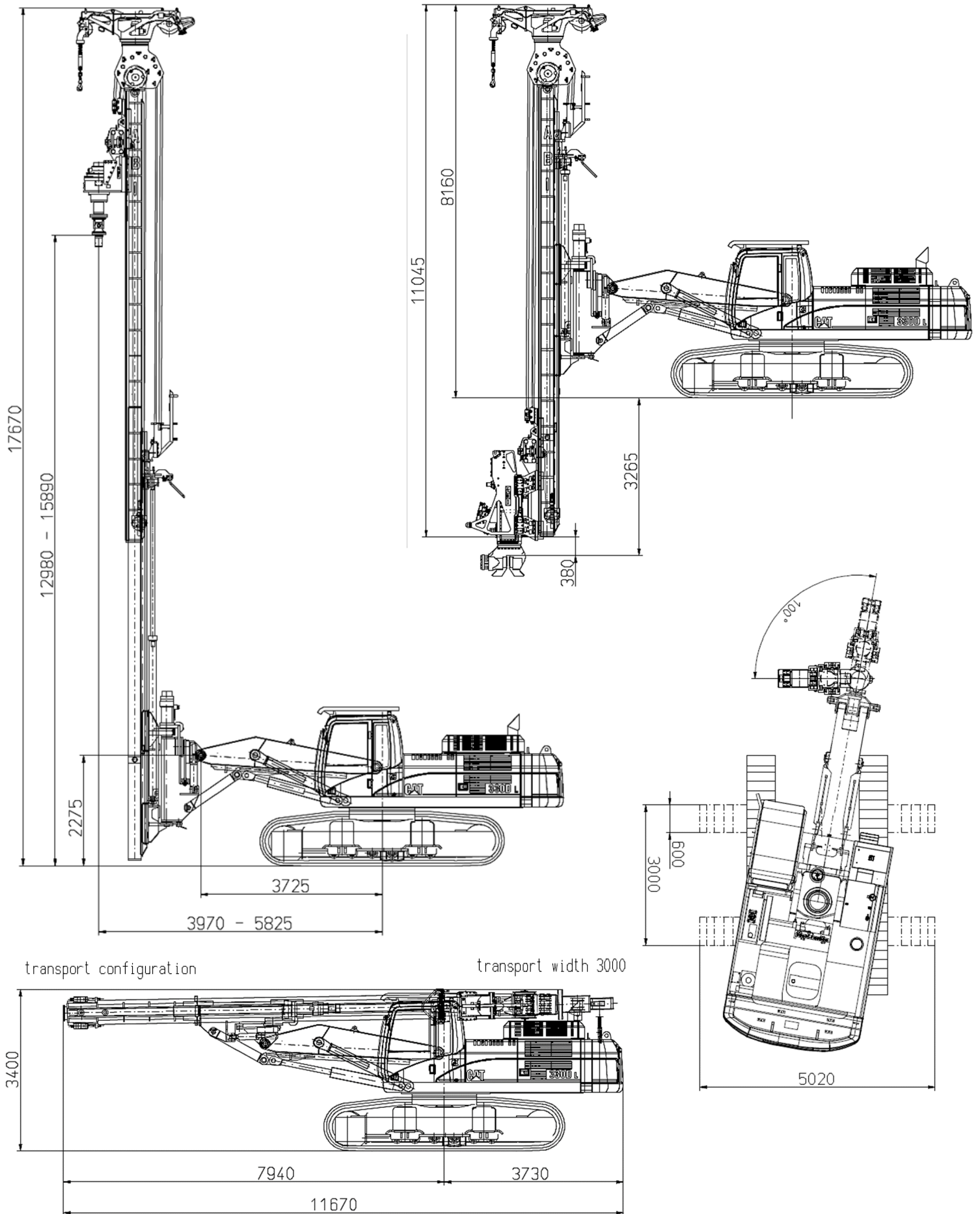
Telescopic Leader Mast	TM 13/16 SL
Total Height	20570 mm
Maximum Pile Length	15.5 m
Extraction Force	175 kN
Crowd Force	90 kN
Torque Absorption Max.	45 kNm
Docking Rig	Yes
Bearing Pressure	310 kN/m ²

Auxiliary Winch

Line Pull at Min. Reach	50 kN
Line Diameter	14 mm
Speed Adjusted	35 m/min



Telescopic Leader Rig ABI TM 13/16 SL



transport configuration

transport width 3000

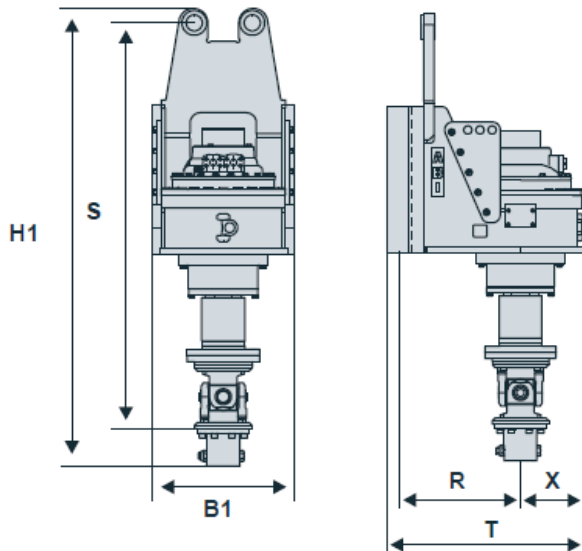
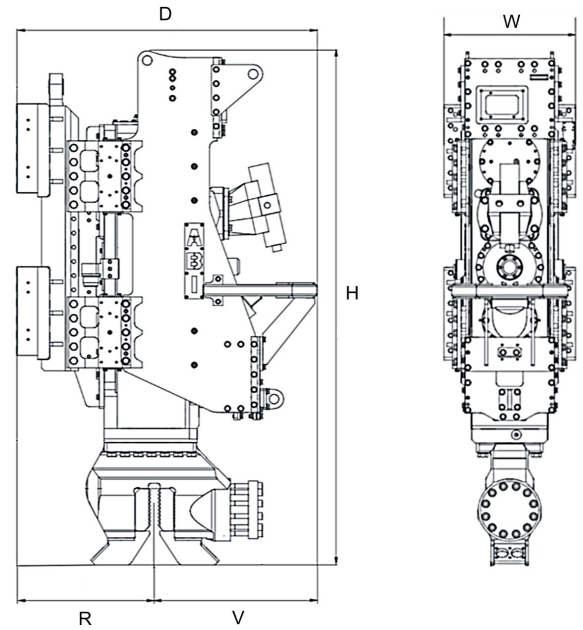
Telescopic Leader Rig ABI TM 13/16 SL

Attachments

Vibration Hammer

MRZV 17VV

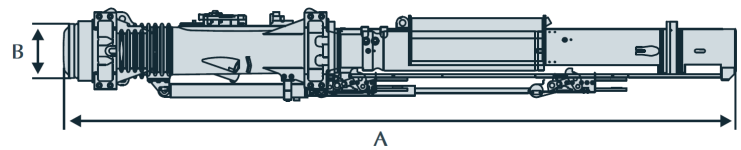
Height (H)	2570 mm
Width (W)	685 mm
Depth (D)	1615 mm
Guide to Driving Axle (R)	650 mm
Min Clearance to Centre Line of Pile (V)	965 mm
Static Moment	0 -17 kgm
Dynamic Mass	2185 kg
Maximum Revolutions	2600 / minute
Centrifugal Force at Nominal Frequency	600 kN
Maximum Centrifugal Force	750 kN
Total Weight	3310 kg
Transport Weight	3560 kg



ABI Auger Drive

MDBA 3200

Height (H1)	2260 mm
Width (B1)	690 mm
Depth (T)	950 mm
R	600 mm
S	1970 mm
X	280 mm
Torque	3200 daNm
Maximum Revolutions	70/min ⁻¹
Static Extraction Force Maximum	200 kN
Total Weight	1350 kg
Transport Weight	1580 kg



Delmag Diesel Impact Hammer

D19 - 52

Length of hammer without extension A	5500 mm
Outer diameter of impact block B	440 mm
Width of hammer	485 mm
Impact weight (piston)	1820 kg
Energy per blow	66 - 29 kNm
Number of blows per min	33 - 52 / min
Suitable for driving piles	1100 - 6000 kg
Weight of hammer	4100 kg
Max. inclined pile driving without / with extension	1:5 / 1:1



Refusal rate with Delmag Impact Hammer as per our standard terms and conditions.
'Refusal shall be defined as the following: ... Greater than 10 blows per 25mm penetration'.
The Delmag can be used to drive both U and Z piles in singles or as pairs (for both).

