



## Z Sheet Pile Technical Data

Ivor King (C.E.C) Ltd is one of the UK's leading multi-disciplined piling specialists providing bespoke design and installation services to the UK civil engineering industry. We permanently hold stock of over 3,000 tonnes of hot rolled U and Z pile sections at our centrally located Warwickshire headquarters and together with our steel suppliers we can offer a wide range of size, weight and grade of steel in both new mill certified piles and excellent quality used stock.

Our sheet piles can be sold and / or bought back or hired dependent upon the temporary or permanent nature of the design solution.

Our wholly owned and operated heavy haulage capability means that we can quickly mobilise throughout the UK.



To receive a comprehensive sales or hire quotation please contact our Hire & Sales Coordinator, Beth Murdock.



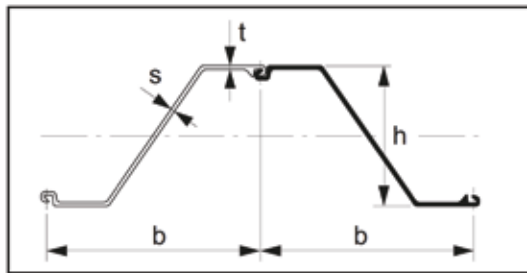
024 7639 7272



beth.murdock@ivorking.co.uk



www.ivorking.co.uk



Z Pile Technical Drawing

### Engineering Advantages of using Z steel sheet pile sections:

- High strength to weight ratio with excellent degree of water-tightness and corrosion resistance
- High section modulus leading to reduced deflections
- Large width, enabling increased coverage
- Comprehensive range of heavy section profiles, interlocking options and lengths available up to 18m long
- Good driving properties - can be used with various methods of installation and specialist plant offering flexibility and commercial benefits
- Our sheet piles are available in grade S270 and high grades S355 - S490 with mill certificates available on request
- Product tolerances are all independently certified and comply with BS EN 10248 Part 2 quality assurance

Z Section Type	Width Single Pile B in mm	Depth Wall H in mm	Mass Single Pile kg / m	Elastic Section Modulus
AZ 18 - 800	800	449	80.7	1 840
AZ 20 - 800	800	450	88.6	2 000
AZ 22 - 800	800	451	96.4	2 165
AZ 23 - 800	800	474	94.6	2 330
AZ 25 - 800	800	475	102.6	2 500
AZ 27 - 800	800	476	110.5	2 670
AZ 28 - 750	750	509	100.8	2 810
AZ 30 - 750	750	510	108.8	3 005
AZ 32 - 750	750	511	116.7	3 200
AZ 12 - 770	770	344	72.6	1 245
AZ 13 - 770	770	344	76.1	1 300
AZ 14 - 770	770	345	79.5	1 355
AZ 14 - 770/10/10	770	345	82.9	1 405
AZ 12 - 700	700	314	67.7	1 205
AZ 13 - 700	700	315	74.0	1 305
AZ 13 - 700/10/10	700	316	77.2	1 355
AZ 14 - 700	700	316	80.3	1 405
AZ 17 - 700	700	420	73.1	1 730
AZ 18 - 700	700	420	76.5	1 800
AZ 19 - 700	700	421	80.0	1 870
AZ 20 - 700	700	421	83.5	1 945
AZ 24 - 700	700	459	95.7	2 430
AZ 26 - 700 <sup>-0.5</sup>	700	460	99.3	2 515
AZ 26 - 700	700	460	102.9	2 600
AZ 28 - 700	700	461	110.0	2 760
AZ 36 - 700N	700	499	118.6	3 590
AZ 38 - 700N	700	500	126.4	3 795
AZ 40 - 700N	700	501	134.2	3 995
AZ 42 - 700N	700	499	142.1	4 205
AZ 44 - 700N	700	500	149.9	4 405
AZ 46 - 700N	700	501	157.7	4 605
AZ 48 - 700	700	503	158.5	4 755
AZ 50 - 700	700	504	166.3	4 955
AZ 52 - 700	700	505	174.1	5 155
AZ 18*	630	380	74.4	1 800
AZ 18 - 10/10	630	381	77.8	1 870
AZ 26*	630	427	97.8	2 600
AZ 46	580	481	132.6	4 595
AZ 48	580	482	139.6	4 800
AZ 50	580	483	146.7	5 015

\*AZ sections can be rolled-up or down by 0.5mm and 1.0mm on request

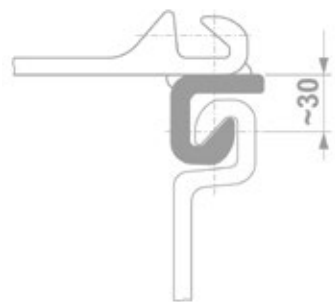


## Z Sheet Pile Technical Data continued...

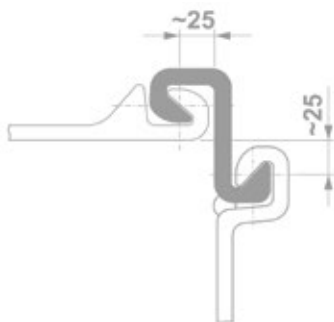
### Additional Interlocking or Corner Junction Clutch Bars

Special corner interlocking Z Sections make it possible to form corner piles without using fabricated special piles. Various corner sections are available for applications where fully enclosed cofferdams are required, offering the advantage of greater water / fine material retention. The use of corner sections will result in specific excavation dimensions depending on the combination of piles / corner sections used. All corner sections are fixed to the sheet pile in accordance with EN 12063.

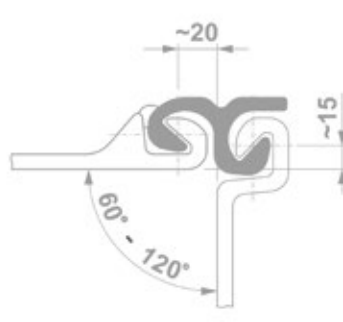
**C 9**  
Mass = 9.3kg/m



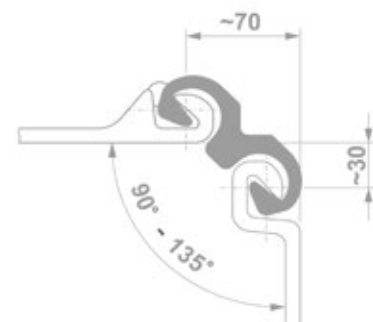
**C 14**  
Mass = 14.4kg/m



**DELTA 13 Mass =**  
13.1kg/m



**OMEGA 18 Mass =**  
18.0kg/m



We are able to advise customers of exact cofferdam dimensions by using our Sheet Pile Configuration Software that enables us to calculate cofferdam size for combined pile junction projects. Please contact our Hire Controller or Design Team on 024 7639 7272 for further advice.



# Whatever your piling project, we're your people

If you're looking for the best piling solution for your construction project, and you want to work with a successful organisation you can trust to deliver the service quality you have promised your client – then you've found the right people. We have the proven track record and experience to undertake any piling project, offering an integrated multi-disciplined service to create and transform a design into reality for all your piling requirements.

Steel Sheet Piling - including sales and hire of U & Z sheet pile sections

Bored Piling Solutions

Driven Piling Solutions

Kingpost and Combination Walls

Inland waterways and Marine Piling Solutions

Temporary and Permanent Piling Solutions

Wholly owned and operated modern plant and leading edge piling equipment - including the unique GIKEN silent piler

In house technical design service offering advice and guidance throughout the project lifecycle

Wholly owned and operated fleet of heavy haulage, abnormal and lorry loading vehicles, enabling quick and efficient mobilisation

BS EN ISO 9001 / 14001 / BS OHSAS 18001 certification - your assurance of our quality services

Convenience and total peace of mind - make one simple call and we'll take care of your whole project

Established independent family business with over 40 years industry experience

The sale and or hire of our sheet piles and piling equipment is subject to your agreement of our Terms and Conditions of business. For details please contact our Hire Control department.

© Ivor King (Civil Engineering Contractors) Ltd : Registered in England & Wales : Company No. 01169018

Registered Company Offices : Haunchwood Park Industrial Estate, Galley Common, Nuneaton, CV10 9PD, England.